

District Name:	Haverhill Public Schools
School Name:	Tilton Elementary School
Address:	70 Grove St. Haverhill, MA 01832

Side C

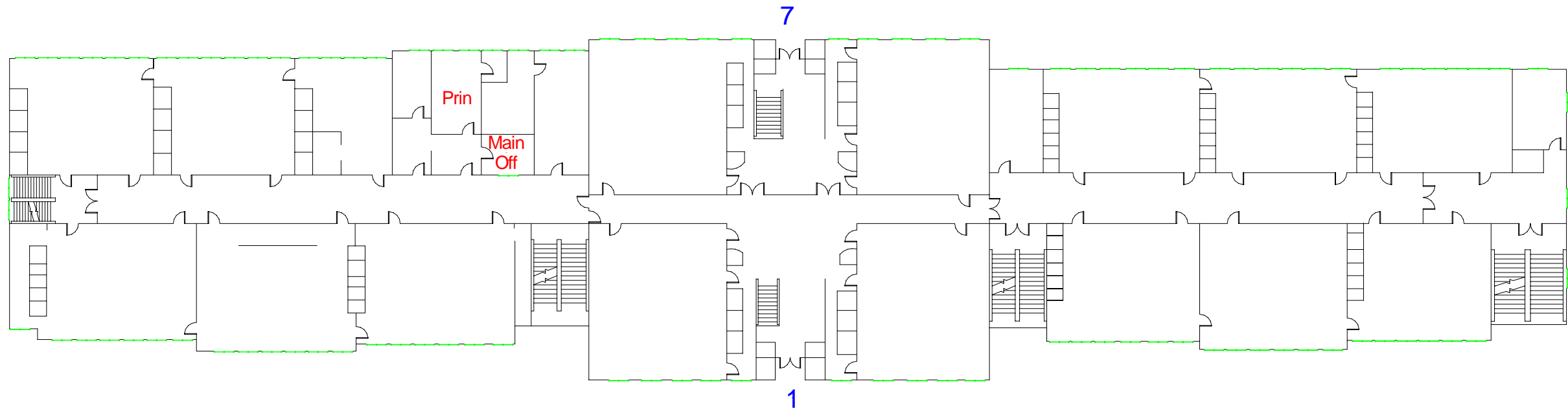
For Official Use Only

Footprint

Footprint

Side B

Side D



Legend

- Camera
- Chair Lift
- Bathrooms: Mens, Womens, Unisex
- Storage
- Window
- Elevator
- Emergency Phone
- Knox Box
- Water Shutoff
- Sprinkler Shutoff
- Electrical Shutoff
- Gas Shutoff
- Ramp
- Emergency Generator
- Fire Alarm Control Panel
- Halon System
- Fire Dept. Connection
- Fire Extinguisher

Side A



District Name:	Haverhill Public Schools
School Name:	Tilton Elementary School
Address:	70 Grove St. Haverhill, MA 01832

Side C

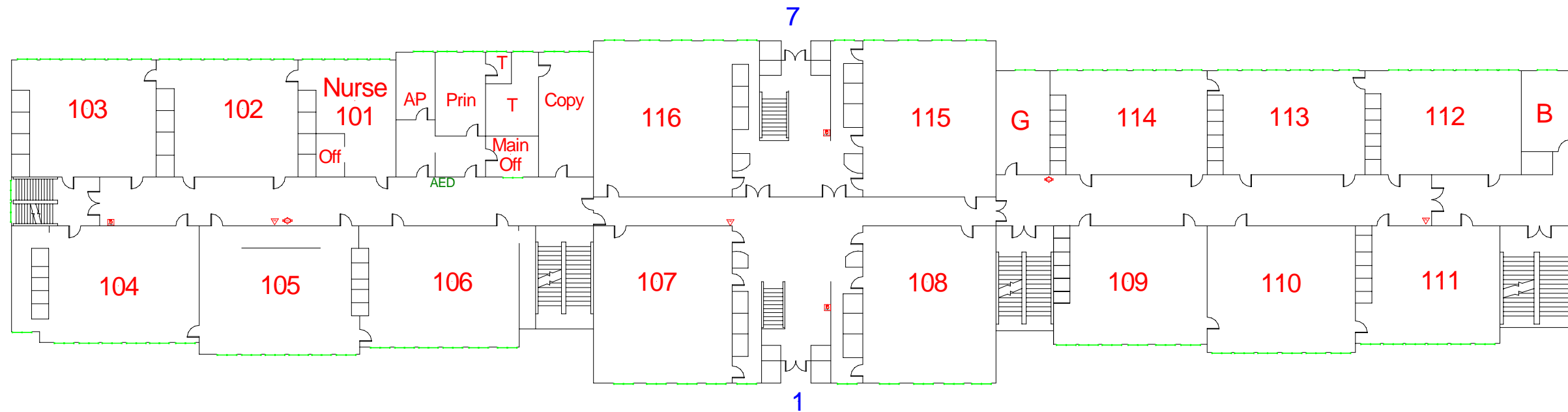
For Official Use Only

First Floor

First Floor

Side B

Side D



Legend

- Camera
- Chair Lift
- Bathrooms: Mens, Womens, Unisex
- Storage
- Window
- Elevator
- Emergency Phone
- Knox Box
- Water Shutoff
- Sprinkler Shutoff
- Electrical Shutoff
- Gas Shutoff
- Ramp
- Emergency Generator
- Fire Alarm Control Panel
- Halon System
- Fire Dept. Connection
- Fire Extinguisher

Side A



District Name:	Haverhill Public Schools
School Name:	Tilton Elementary School
Address:	70 Grove St. Haverhill, MA 01832

Side C

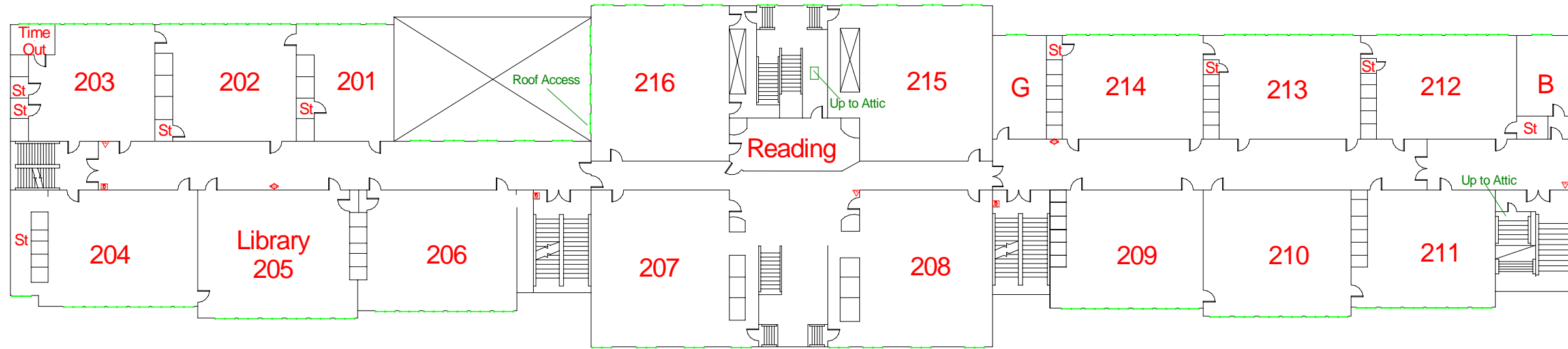
For Official Use Only

Second Floor

Second Floor

Side B

Side D



Legend

- Camera
- Chair Lift
- Bathrooms: Mens, Womens, Unisex
- Storage
- Window
- Elevator
- Emergency Phone
- Knox Box
- Water Shutoff
- Sprinkler Shutoff
- Electrical Shutoff
- Gas Shutoff
- Ramp
- Emergency Generator
- Fire Alarm Control Panel
- Halon System
- Fire Dept. Connection
- Fire Extinguisher

Side A



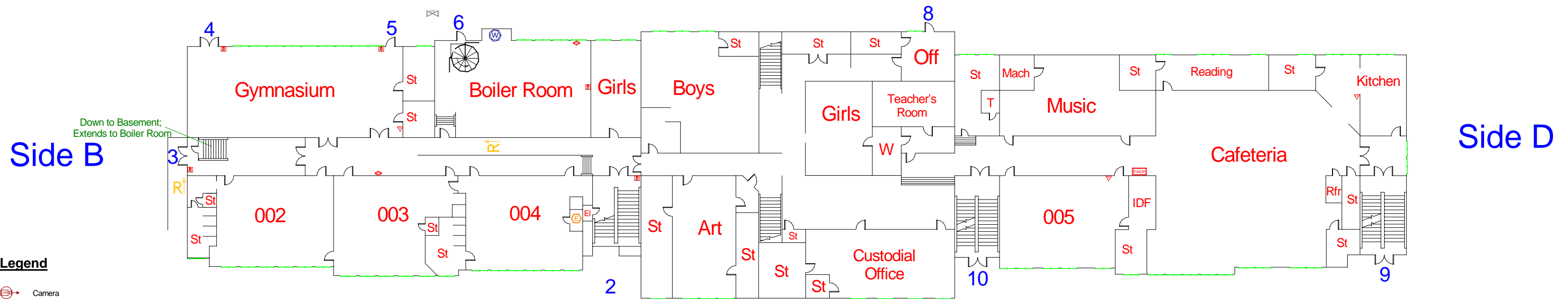
District Name:	Haverhill Public Schools
School Name:	Tilton Elementary School
Address:	70 Grove St. Haverhill, MA 01832

Side C

For Official Use Only

Basement

Basement



Legend

- Camera
- Chair Lift
- Bathrooms: Mens, Womens, Unisex
- Storage
- Window
- Elevator
- Emergency Phone
- Knox Box
- Water Shutoff
- Sprinkler Shutoff
- Electrical Shutoff
- Gas Shutoff
- Ramp
- Emergency Generator
- Fire Alarm Control Panel
- Halon System
- Fire Dept. Connection
- Fire Extinguisher



Side A